



**NETWORKS**  
POWERING YOU

---

Software Defined WAN  
Overview

---

# PRODUCT INTRODUCTION

## Software-Defined Wide Area Network - SDWAN

The Distributed Enterprise Requires a Solution That Ensure Users Remain Connected at All Times. One That Strengthens Security and That Provides End-to-End Visibility Without Adding Complexity. Our SD-WAN Is That Solution – Built for Your Distributed Enterprise .

Businesses rely on branch offices or remote employees to serve customers, to be near partners and suppliers and to expand into new markets. As application and desktop virtualization increase or applications move to the cloud, IT managers face the challenge of providing these applications without a performance penalty to branch and mobile users. Our SD-WAN can help you effectively and economically increase WAN throughput while accelerating enterprise applications, ensuring the performance and availability of mission critical applications, and simplifying the branch network .



### Key Features



#### Application Aware Virtual WAN

Our SD-WAN creates a reliable WAN from diverse network links, including MPLS, broadband, and wireless, continuously measuring and monitoring each link for loss, latency, jitter and congestion. Link outages and errors are mitigated by Our SD-WAN's ability to move traffic off poor performing links without impact to the applications, resulting in predictable and consistent performance. Mission critical applications are always routed across the paths with the fastest transit time, real-time application traffic can be duplicated to guarantee no loss and traffic from high bandwidth applications can be balanced across multiple links to provide high performance for large file transfers.



#### Application QoS For Assured Delivery

With deep, granular application awareness combined with network performance, the SD-WAN platform can ensure that critical applications (or critical application elements) receive priority and are routed across the highest-quality link. Lower quality links are used for lower priority applications that can tolerate higher latency. The SD-WAN endpoints also communicate with each other on congestion conditions, allowing sending devices to adjust transmission rates to match network capacity .

---

**"Link Outages and Errors Are Mitigated by Our SD-WAN's Ability to Move Traffic off Poor Performing Links"**

---



## Application and WAN Optimization

Through features such as TCP flow control, data compression, de-duplication and protocol optimization, our SD-WAN can improve the end-user experience as well as provide a reduction in WAN bandwidth expenses. Additionally, with video usage on the rise, our SD-WAN can optimize video delivery within environments as well as for popular websites and internal video content repositories



## Dynamic Routing For Branch Simplification

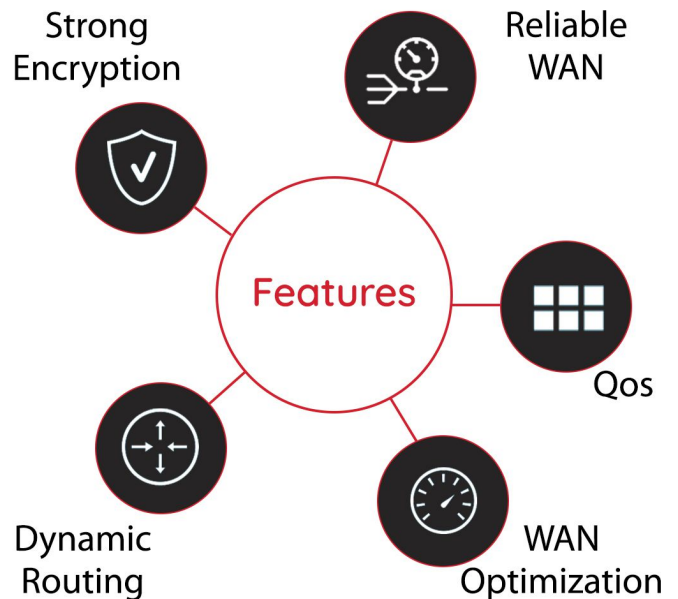
Our SD-WAN provides an alternative to the legacy branch router, enabling a simpler branch network with lower infrastructure and support costs. Multiple overlay routed networks can be software defined, with separate policies and security rules applied to each. With Dynamic Routing, our SD-WAN can seamlessly participate in your routing topology for easy network insertion or operate a streamlined branch network with assured application delivery. With Dynamic Routing, Virtual WAN, QoS, and WAN Optimization functionality all available in a single appliance, our SD-WAN remains the most complete solution for branch networking

### Multiple Overlay Routed Networks Can Be Software Defined, With Separate Policies and Security Rules



## AES256 Encryption = Complete Security

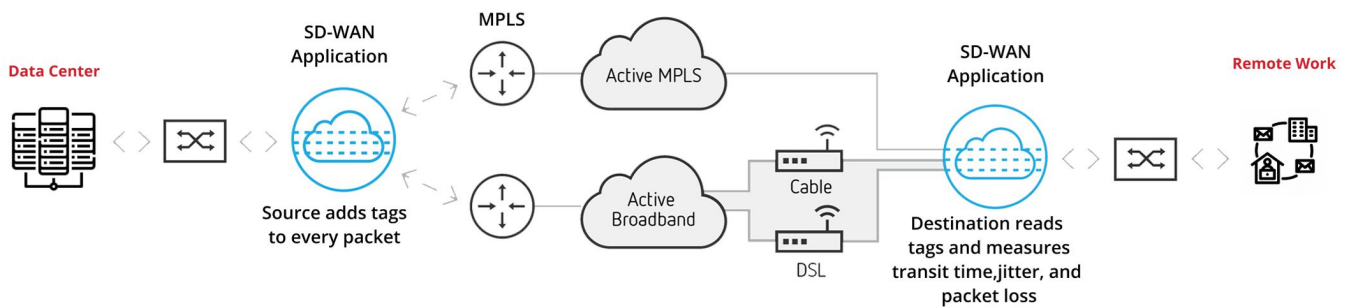
And finally, our SD-WAN provides strong encryption as data crosses public and private networks while easily integrating with cloud web gateways



## Why Use Our SD-WAN ?

- Identify over 4000 applications and apply QoS and firewall policies from a single centralized management window.
- Maintain high performance for mission critical applications even when a network link fails.
- Improve the virtual desktop experience to branch-office and mobile users and accelerate traditional enterprise.
- Expand WAN capacity with low-cost solutions, while maintaining MPLS-level quality and reliability.
- Support cloud migration with multi-level security enabling direct branch offices connections to the Internet and cloud.
- Simplify IT with integrated firewall, routing and WAN Optimization to reduce network footprint.
- Secure data across the WAN and to the cloud with strong encryption, application-level security policies and data segmentation.
- Gain visibility into application delivery in order to proactively manage the user experience.

# Reliable Hybrid WANs



Our SD-WAN application/appliances measure latency, jitter and loss to create a "map" of the network underlay. This map is used to direct each application to the best path through the network and ensure that the user experience is high.

## Healthcare Provider

Provider operating approximately 6,000 beds across 56 skilled nursing facilities.

### Problem

New electronic medical record (EMR) project required immediate bandwidth upgrades, but MPLS was expensive

### Result

SD-WAN gave them a ten month payback on the purchase versus scaling existing MPLS connections plus more reliable applications and QoS for VoIP.

## Large Cruise Liner

Large cruise line with 22 ships and multi-lingual reservation centers worldwide.

### Problem

Improve user experience in call centers and ships.

### Result

Decided to refresh its WAN optimization equipment and determined that SD-WAN provided significantly better

## F&B QSR Chain

World's largest provider of food, beverage, and retail services with over 200 airport locations across the U.S.

### Problem

Needed fast, optimized access from point of sale terminals for its credit-card transaction processing application.

### Result

The SD-WAN solution reduced WAN data cost by 40% and proved to be 30% faster than the incumbent solution.

## Private Bank

Twelfth largest U.S. retail mortgage bank with over 1,250 employees across 84 branches in 48 states.

### Problem:

Fast growing bank needed reliable access to its core, centralized loan processing application.

### Result:

After deploying SD-WAN solution, loan-processing times for remote workers dropped from 3 hours to 45 minutes.

---

**"We're Able to Utilize Commercial-Grade Broadband Services Along With 4G/LTE and Our Metro-E Fiber to Facilitate Our Network Reliability Which is a Key for Our Organization, As We Need to Make Sure We Have Full Uptime."**

---